



## COLLISION DAMAGE WAIVER (CDW)

**Frank's Friendly Cars Maui Car Rental LLC**  
 PO Box 790431  
 Paia, HI, 96779  
 Phone: 808-280-1196  
 Email: info@mauicarrental.biz  
 Web: www.mauicarrental.biz

Renter \_\_\_\_\_  
 Date \_\_\_\_\_ C/N \_\_\_\_\_  
 Car \_\_\_\_\_  
 License \_\_\_\_\_

### NOTICE:

Our contracts offer, for an additional charge, a collision damage waiver to cover your responsibility for damage to the vehicle. Before deciding whether or not to purchase the collision damage waiver, you may wish to determine whether your own vehicle insurance affords you coverage for damage to the rental vehicle and the amount of the deductible under your own insurance coverage. The purchase of this collision damage waiver is not mandatory and may be waived.

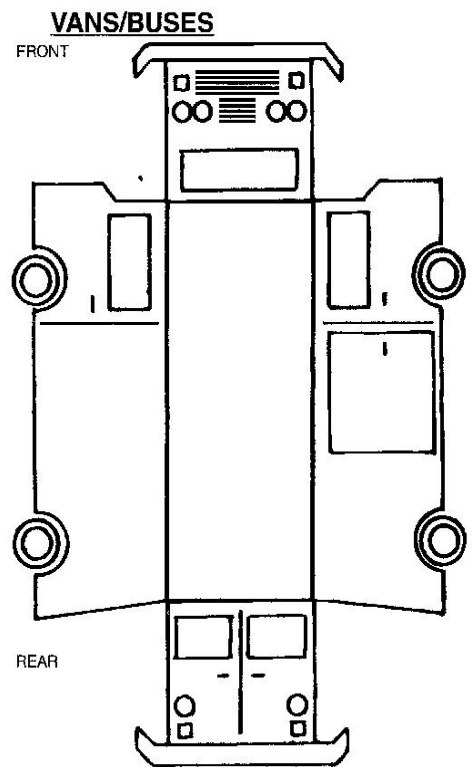
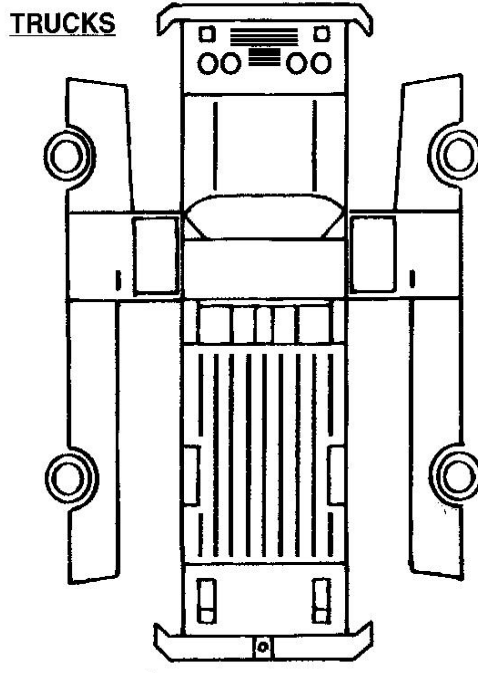
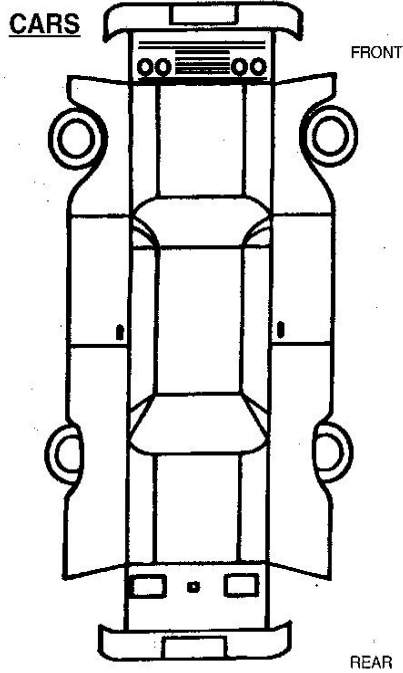
### Collision Damage Waiver (CDW)

Accept \_\_\_\_\_ Decline \_\_\_\_\_

Accepting the CDW relieves the renter of all financial responsibility for the rental car, less deductible assessed, in the case of accidental damage due to a collision, whether the renter's fault or a third party. **Exclusions:** CDW does not cover auto object (one-car) accidents, flat tires, tire rims, hubcaps, theft, vandalism, and non-collision related glass window breakages. CDW will not apply if renter has violated the terms and conditions of the Rental Agreement, or in consequence of being intoxicated or under the influence of any narcotic, or if the renter failed to report the traffic accident to the Police and Frank's Friendly Cars within 24 hours.

Rate: \$ \_\_\_\_\_ / day Deductible: \$ \_\_\_\_\_

- CODES:**
- |            |   |   |                          |
|------------|---|---|--------------------------|
| B-BENT     | CPM-COVERED WITH PROTECTIVE MATERIAL-UNABLE TO DETERMINE DEFECTS IF ANY | DMC-DUST AND MUD COVERED UNABLE TO DETERMINE OTHER DEFECTS IF ANY | P-PUNCTURED              |
| BR-BROKEN  | CSA-CHAFED AND SCRATCHED ALL OVER                                       | G-GOUGED OR CUT   | R-RUSTY                  |
| BU-BULGE   | CR-CRACKED  | GC-GLASS CRACKED  | S-SCRATCHED              |
| C-CHAFED   | D-DENTED  | HS-HAIRLINE SCRATCH   | SC-SCRAPED               |
| CH-CHIPPED |   | M-MISSING   | SM-SMASHED               |
|            |   |   | ST-STAINED AND/OR SOILED |
|            |   |   | T-TORN                   |



-INDICATE ON DIAGRAM-  
 -GIVE DIMENSIONS-  
 -CIRCLE WHERE APPLICABLE-

### TO BE COMPLETED IF CDW IS DECLINED:

I, the renter, hereby certify that I assume responsibility for all loss or damage to the rental vehicle, whether caused by me or not, subject to the following limitations: (1) Any prior damage indicated on this form, and (2) Minor scratches, dents, scrapes, chips, abrasions, attributed to ordinary wear and tear in the course of the use of the vehicle.

RENTER: \_\_\_\_\_ DATE \_\_\_\_\_